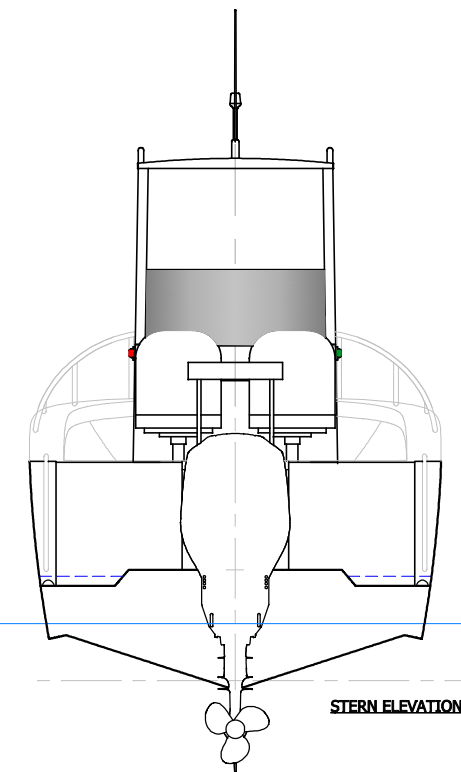
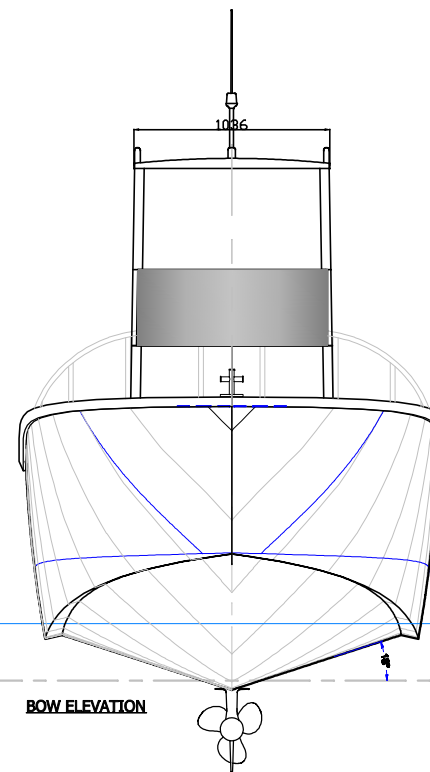
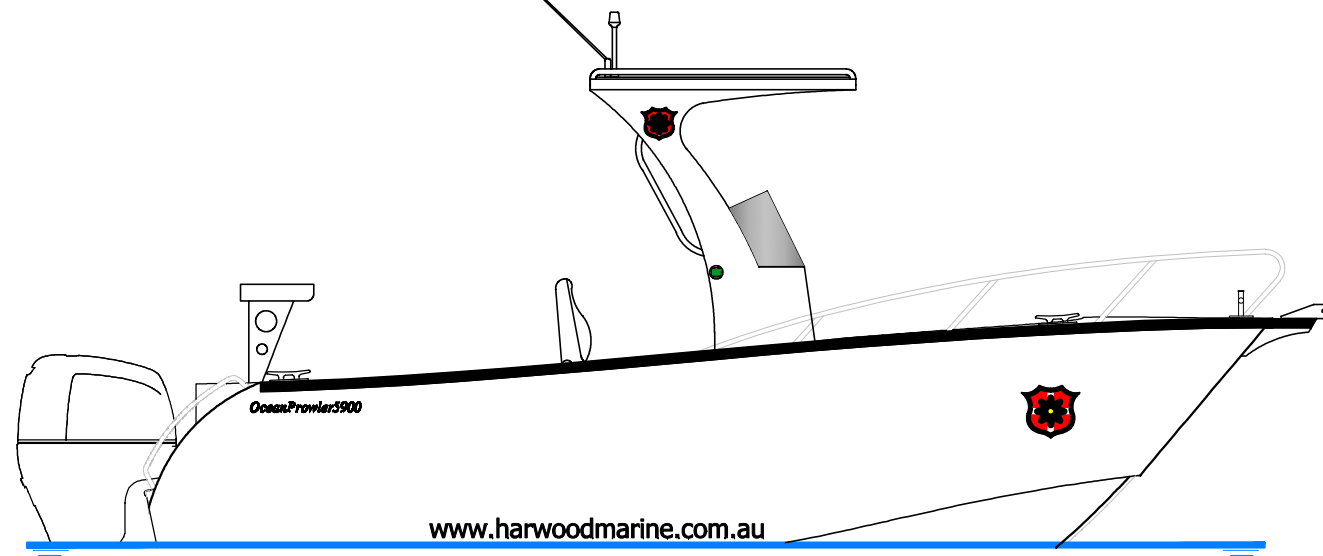
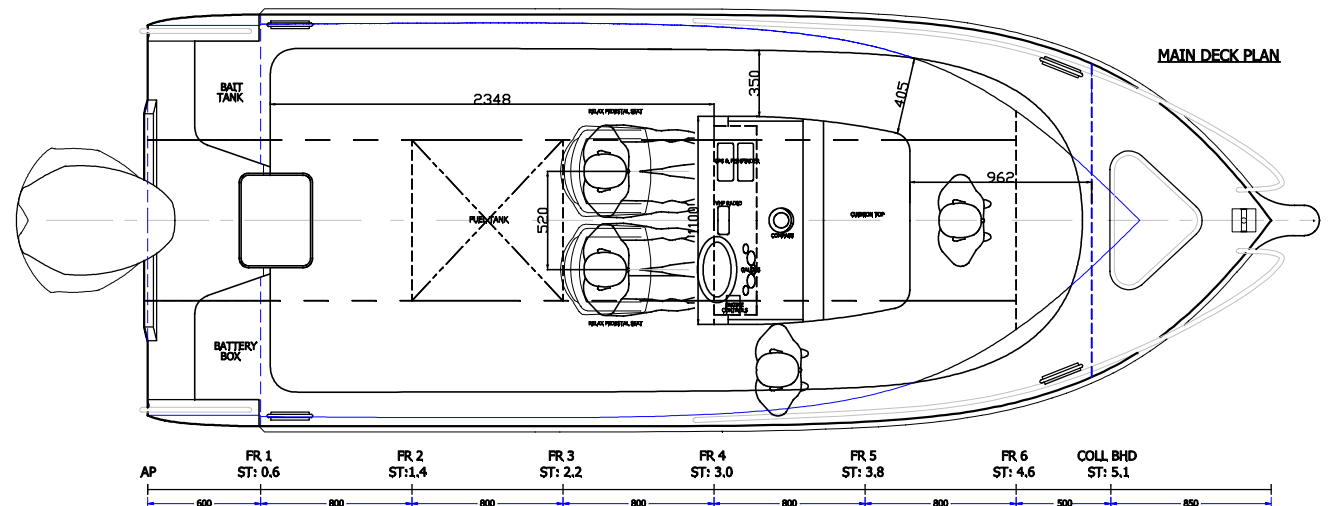
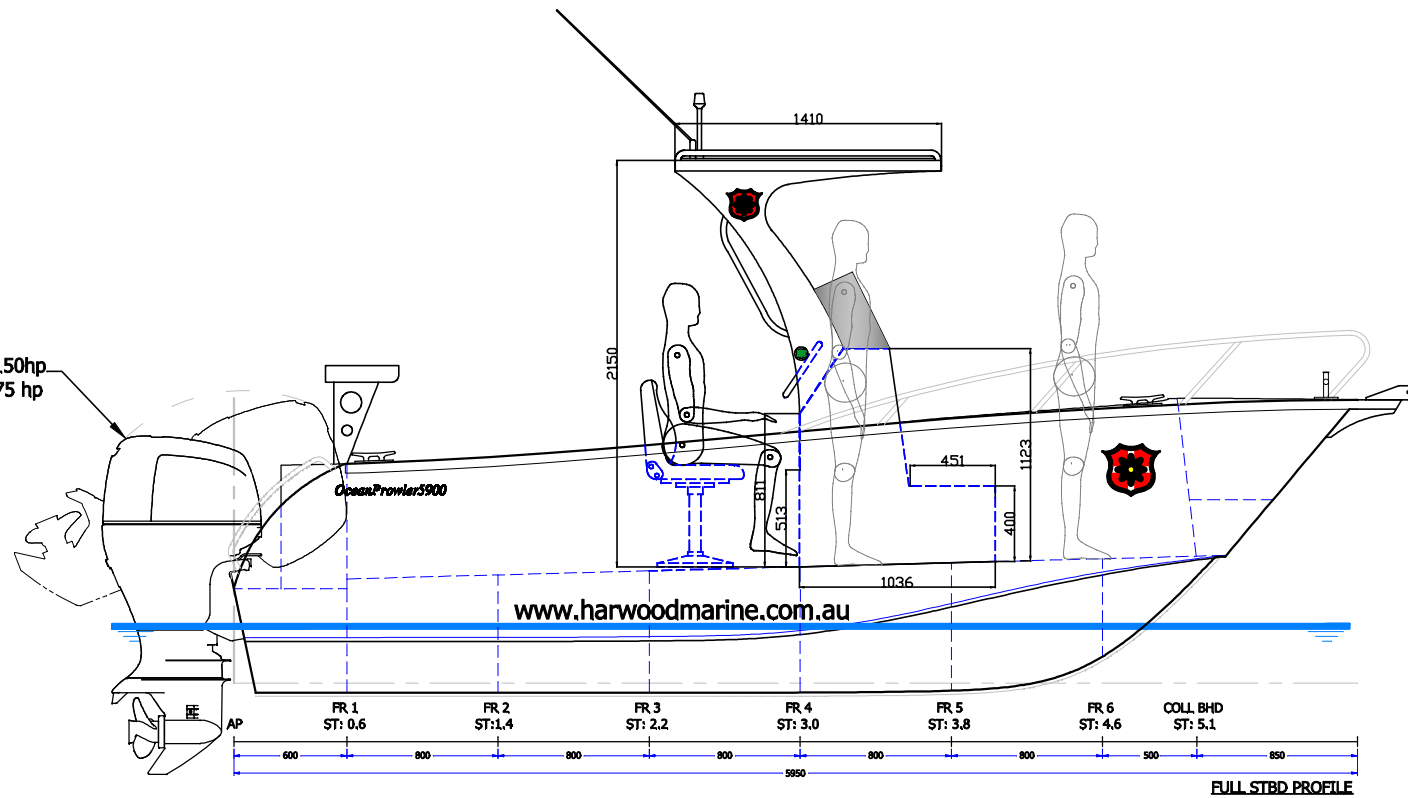


SEALIFE OCEAN PROWLER 5.9 MTR.



Motor : 1 x 90 - 150hp
2 x 50 - 75 hp



HULL DESIGN BY SEALIFE DESIGNS

1469 Sandgate Rd, PO Box 147, Nundah Brisbane. 4012.
PH: 07-3266 5111, FAX: 07 3266 5211
Email: info@sealifedesigns.com www.sealifedesigns.com



Length Lo/A	: 5.95 m	Bottom Plate	: 5mm
Length Lw.	: 4.88 m	Chine Plate	: 4mm
Beam, B	: 2.20 m	Side Plate	: 4mm
Depth, d	: 0.55 m	Transom	: 5mm
Fuel	: 100 Liters	Gunwale	: 3mm
Displacement, D _{Ls}	: 750 kg	Main Deck	: 4mm
Draft, T _{Ls}	: 230 mm	Material	: 5083 Aluminium
Displacement, D _{owL}	: 1200 kg	Hull Frames	: 3mm - 5251-H32
Draft, T _{owL}	: 285 mm	Hull Longitudinals	: 3mm - 5251-H32
		Speed, V _{CRUISING}	: 22 knots
		Speed, V _{MAX}	: - knots

				APPROVED	UNLESS OTHERWISE SPECIFIED DIMENSIONS ARE IN MILLIMETERS GENERAL TOLERANCE ± 1.0MM & ± 1 DEGREE, UNLESS OTHERWISE STATED PRIVATE AND CONFIDENTIAL THIS DRAWING IS CONFIDENTIAL AND MUST NOT BE USED FOR MANUFACTURE OR COPIED OR COMMUNICATED TO ANY OTHER PERSON OR COMPANY WITHOUT THE EXPRESS PERMISSION OF HARWOOD SLIPWAY & ENGINEERING	HARWOOD MARINE 162-164 River Road, Harwood Island NSW 2465 Australia Tel: +61 (02) 6646 4222 Fax: +61 (02) 6646 4472 Email: info@harwoodmarine.com.au www.harwoodmarine.com.au CEBU OFFICE Mezzanine 1 Don Alfredo Gothong Centre, North Reclamation Area, Cebu City 6000, Philippines Tel.: +63 32 238 0212	TITLE:	GA for HSE Center Control Hardtop DRAWING NO.: 1003-01-01 B PROJECT: 5.9m OCEAN PROWLER DATE: 13/07/2010 SCALE: 1:40 SHEET: 1 / 1
				SB				
				CHECKED				
				AP				
B	01/09/2010	HULL DESIGNER INFORMATION		DRAWN				
A	13/07/2010	PRELIMINARY		JA				
ISSUE	DATE	MODIFICATION	MOD.	APPR.				